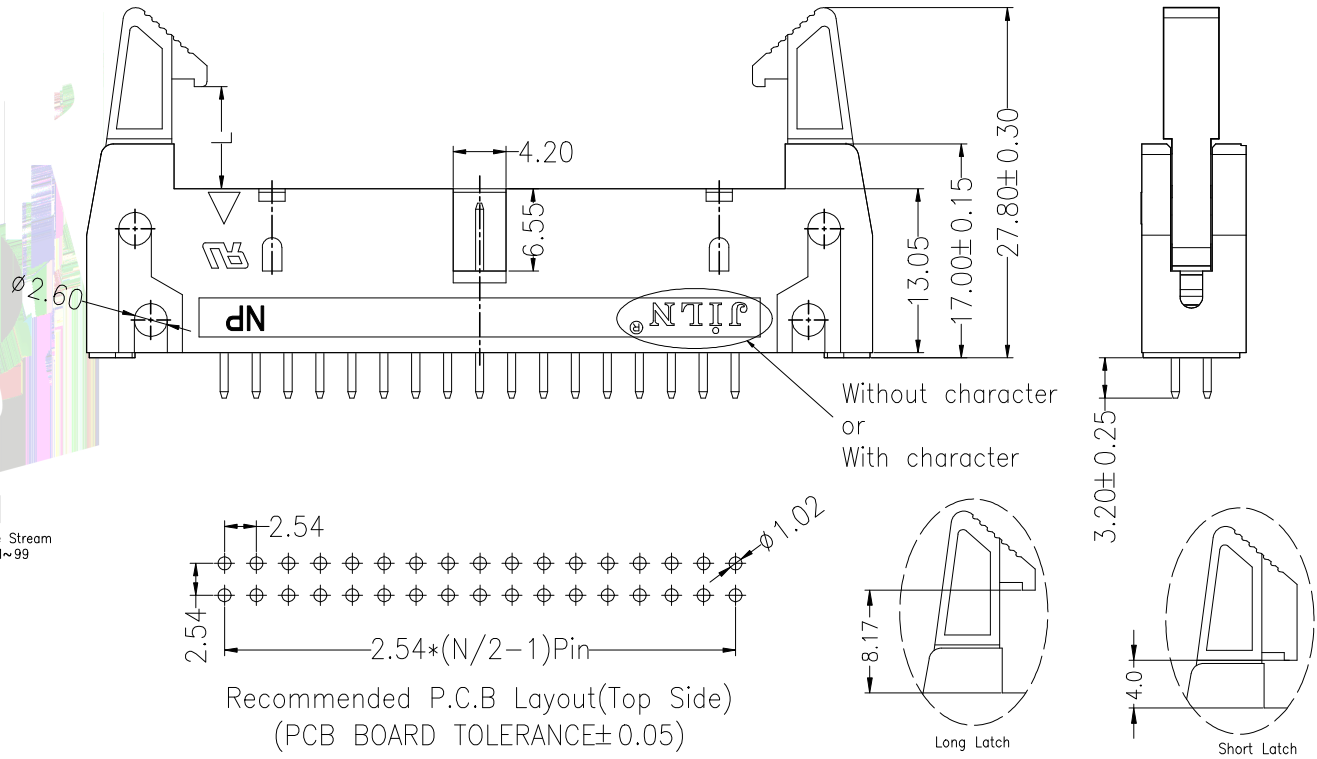
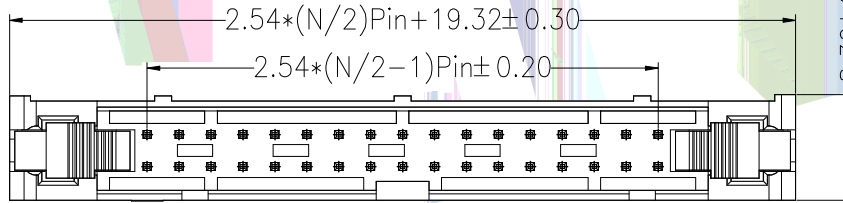




SPECIFICATIONS

Rated Current:3.0AMP
 Contact Resistance:20mΩ Max
 Withstand Voltage:1000V AC/DC
 Insulation Resistance:1000MΩ Min
 Operation Temperature:-40°C to +105°C

Contact Material:Brass
 Contact Plating:Au or Sn Over Ni
 Insulator Material:Polyester(UL94V-0)
 Max.Processing Temp:
 (PBT)245°C±5°C For 5~10 Second
 (PA6T)260°C±5°C For 5~10 Second



Ordering Information

3310 XX S XX X X X X 0X

No.of Pins NPin N=06~64	Contact Plating G0:Gold Flash G1:1U" Gold G2:1.5U" Gold G3:2U" Gold G4:3U" Gold G5:5U" Gold G6:10U" Gold G7:15U" Gold S0:Gold Flash/Tin S1:3U" Gold/Tin SN:Tin	Insulator Material Option A=BK-PBT C=BK-PA6T	Color Type B=Black G=Grey	Latch Type L=Long Latch S=Short Latch N=Without Latch	Packing 0=PE Bag A=Tray T=Tube P=Tube+Cap	Code Stream 01~99
-------------------------------	---	---	---------------------------------	--	---	----------------------

Recommended P.C.B Layout(Top Side)
 (PCB BOARD TOLERANCE±0.05)

A0	2021.03.04	NEW DRAWING	
REV	DATE	MODIFICATION DESCRIPTION	CHANGE

OPERATION		DRAW	Jelly Feng	2021.03.04	SCALE	FIT
X.X	±0.30				UNIT	mm
X.XX	±0.20	CHECK	RICH LIN		SIZE	A4
X.XXX	±0.10				SHEET	1/1
Angle	±3°	APPROVE	OUYANGHUI		PROJ.	
DIM	TOL					

深圳市锦凌电子有限公司 SHENZHEN JINLING ELECTRONICS CO.,LTD Tel: 86-755-27483253 Fax: 86-755-2997-5588		PART NO.	3310XXSXXXXXX0X
		TITLE:	2.54 ejector header 180°